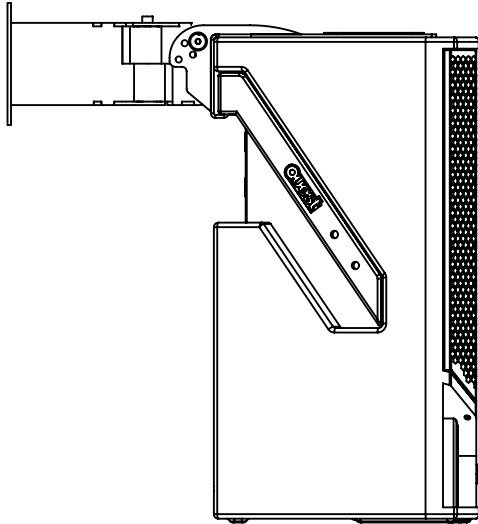


QR2: Pan/Tilt Wall Mounting System

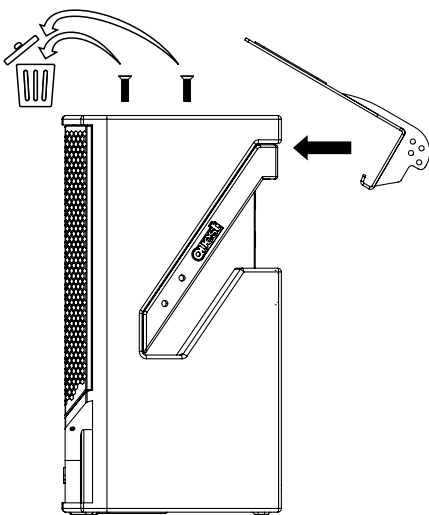
Order Ref: ACHPI-QR2



Kit Contents

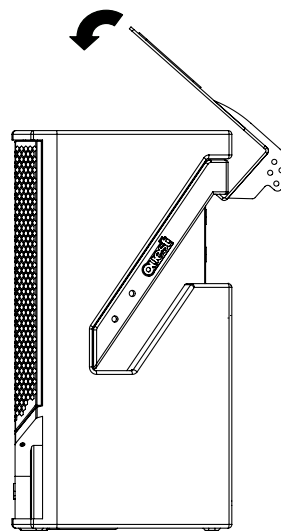
- Wall-Mount assembly (swivelling)
- i-Spine
- Quick pin 8x50
- Screws (2x M10)

Installing the i-Spine



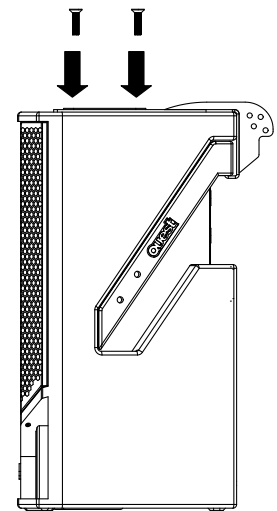
1

Remove the 2 top screws that are installed in the speaker then insert the lip of the Spine to grab the casing handle.



2

Swing it flat on the top of the speaker box.



3

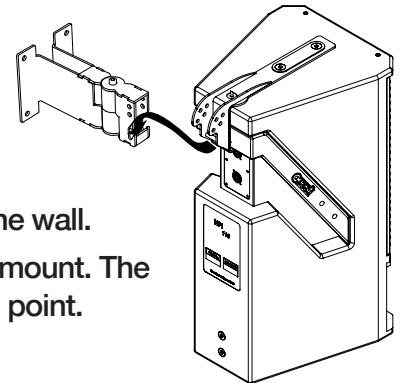
Bolt in and secure the Spine (using fastener securing compound) onto the speaker with the 2 x M10 bolts included.

NOTE: The 2 x M10 bolts supplied with both the i-Spine should replace the previously installed screws in the speaker. The M10 bolts are designed with a longer thread which provides increased strength and security to the system.

Mounting the Speaker to the Wall Bracket

Once the spine has been installed, mount to the wall bracket as follows:

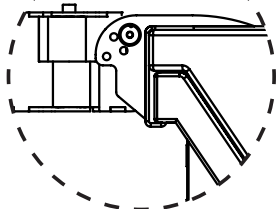
1. Bolt the wall mount assembly (without the speaker attached) onto the wall.
2. Lift the speaker (now installed with Spine) and hook it onto the wall-mount. The wall-mount is designed to safely support the weight of the box from this point.



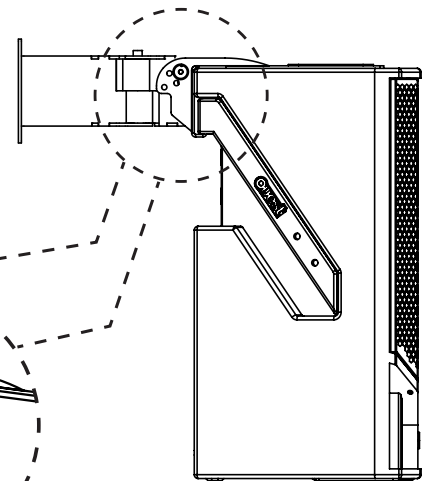
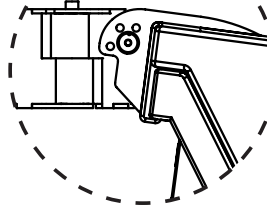
Setting The Angle Of The Cabinet

Once the speaker has been mounted correctly, the angle at which the speaker will be fixed can be adjusted by fitting the Q-Pin into the correct hole. The standard kit offers the possibility to wall or beam mount a speaker at -5 to -30 degrees. (Maximum angle of tilt can vary according to installation environment).

0 degrees

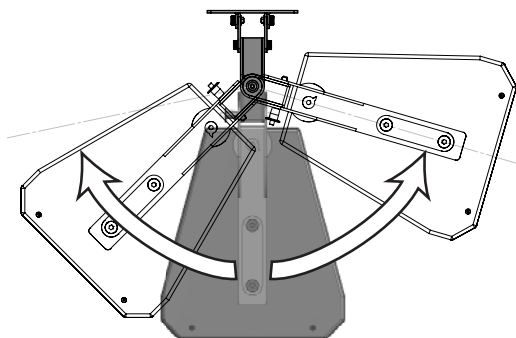


7.5 degrees

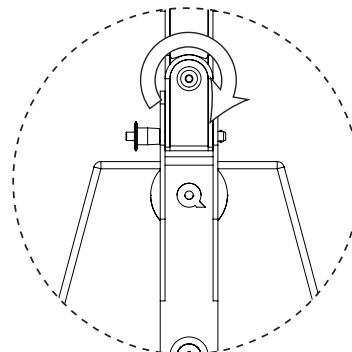


Adjusting and Locking Horizontal Pan.

The advantage of the swivelling assembly is the ability to set the pan angle from -75° to +75°. The cabinet can be locked in position by tightening the screw located on top of the pivot axis of the rigging assembly.



1 Turn the Cabinet



2 Tighten the top screw

Safety Precautions

- Avoid installing the mounting hardware on unstable structures, such as on unreinforced walls or ceiling beams that are not designed to carry extra weight.
- Refer all installation work to the dealer from whom the speaker was purchased. Installation for flying speaker systems requires extensive technical knowledge and experience. The speaker or rigging hardware may detach if not correctly installed, resulting in serious injury to people below.
- Check that all elevated work platforms or other height access devices (ladders etc.) will safely carry the weight of the products to be elevated and the weight of the installation personnel before starting the installation.
- Be sure to follow the flying instructions exactly as described. Do not take shortcuts during the installation and flying process. Identify any possible risks or hazards before beginning the setup\ installation. Time and care should be taken so as not to expose yourself or other workers to danger with unsafe practices.
- Check to confirm that suspension wires are strong enough, correctly terminated and sufficient to carry the total load with at least a 4:1 safety rating.
- The connectors of the suspension wires and belts must be securely linked with those of the speaker or rigging hardware.
- Be sure to use screws supplied with the optional flying hardware when installing any mounting hardware or the speaker itself.
- Install the unit only in a location that can structurally support the weight of the unit and the mounting bracket.
- Do not use other methods than those specified to mount the speaker boxes.
- Use nuts and bolts that are appropriate for the ceilings or wall's structure and composition.
- Use only the specified mounting brackets. No warranty is provided due to damage resulting from a failure of after-market accessories.



Caution

After installation periodically have the rigging and installation fittings checked by a competent technician or rigging specialist. Failure to do so may result in a loudspeaker or rigging element falling and causing injury.



www.questengineering.com.au

Quest Engineering Pty. Ltd.

130 - 140 Melrose Drive, Tullamarine Vic. 3043 Australia

Phone: +61 (03) 8373 6868