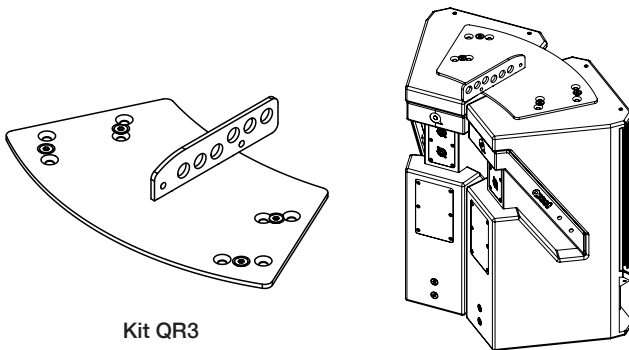


QR3: Horizontal Two Speaker Array

Order Ref: ACHPI-QR3

Introduction

The hanging plate for 2 speakers allows for 3 sets of angles with a maximum coverage angle of 160 degrees



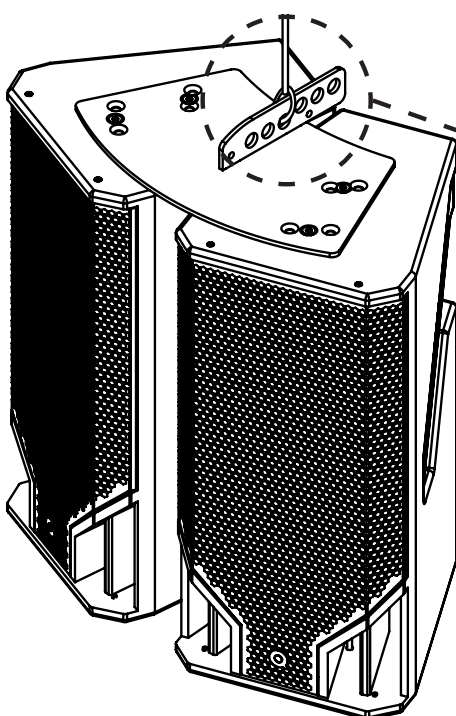
Kit QR3

HPI110 installed with QR3 Kit

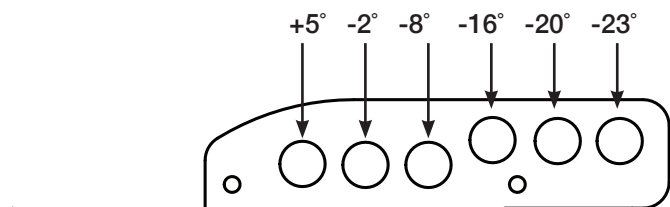
Kit Contents

- Dual speaker hanging plate
- Screws (4 x M10)

Hang Installation



The natural hang tilt angle of the horizontal array is controlled by the shackle location on the top spine



Installation Samples

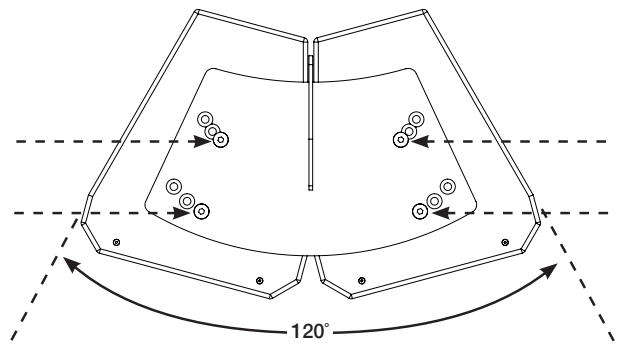
When hanging the HPI speakers from the QR3 plate, setting the two boxes to the most narrow coverage will cause a small amount of interference effect between the boxes. This is not very noticeable, but it does exist. Opening up the horizontal coverage to array setting #2 will give a very smooth and consistent coverage in the upper midrange and high frequency areas. Array setting #2 and 3 (wide dispersion) have the most uniform frequency response.

Array Setting #1

2 HPI110 in a dual horizontal array.

Coverage angle approximately 120°

Note: this configuration will give the most narrow horizontal coverage and not recommended for the HPI111

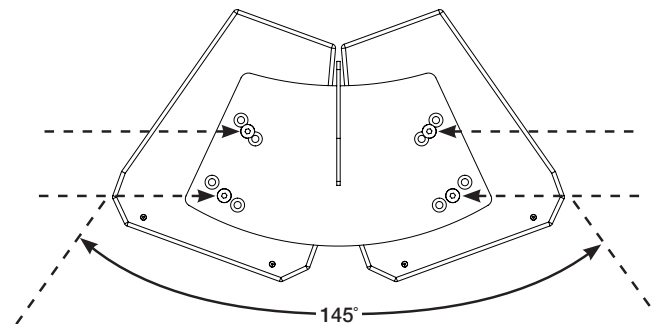


Array Setting #2

2 x HPI110 in a dual horizontal array.

Coverage angle approximately 145°

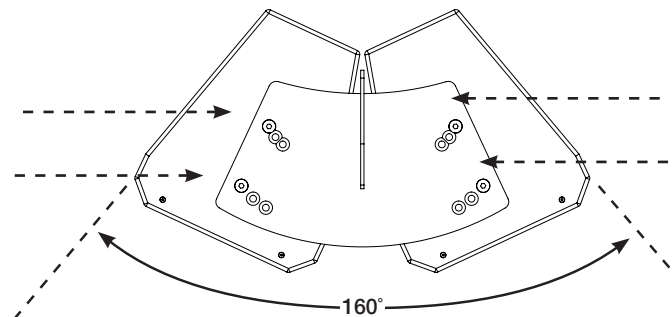
(Normal setting)



Array Setting #3

2 x HPI110 in a dual horizontal array.

Coverage angle approximately 160°



Warning












Attach the plate to the speaker boxes with the installation bolts supplied with the QR3.



Caution

It is preferable to coat the bolts with thread locking paste for maximum protection against bolts becoming loose over time.

Safety Precautions

- 
 Avoid installing the mounting hardware on unstable structures, such as on unreinforced walls or ceiling beams that are not designed to carry extra weight.
- 
 Refer all installation work to the dealer from whom the speaker was purchased. Installation for flying speaker systems requires extensive technical knowledge and experience. The speaker or rigging hardware may detach if not correctly installed, resulting in serious injury to people below.
- 
 Check that all elevated work platforms or other height access devices (ladders etc.) will safely carry the weight of the products to be elevated and the weight of the installation personnel before starting the installation.
- 
 Be sure to follow the flying instructions exactly as described. Do not take shortcuts during the installation and flying process. Identify any possible risks or hazards before beginning the setup\ installation. Time and care should be taken so as not to expose yourself or other workers to danger with unsafe practices.
- 
 Check to confirm that suspension wires are strong enough, correctly terminated and sufficient to carry the total load with at least a 4:1 safety rating.
- 
 The connectors of the suspension wires and belts must be securely linked with those of the speaker or rigging hardware.
- 
 Be sure to use screws supplied with the optional flying hardware when installing any mounting hardware or the speaker itself.
- 
 Install the unit only in a location that can structurally support the weight of the unit and the mounting bracket.
- 
 Do not use other methods than those specified to mount the speaker boxes.
- 
 Use nuts and bolts that are appropriate for the ceilings or wall's structure and composition.
- 
 Use only the specified mounting brackets. No warranty is provided due to damage resulting from a failure of after-market accessories.



Caution

After installation periodically have the rigging and installation fittings checked by a competent technician or rigging specialist. Failure to do so may result in a loudspeaker or rigging element falling and causing injury.



www.questengineering.com.au

Quest Engineering Pty. Ltd.

130 - 140 Melrose Drive, Tullamarine Vic. 3043 Australia

Phone: +61 (03) 8373 6868