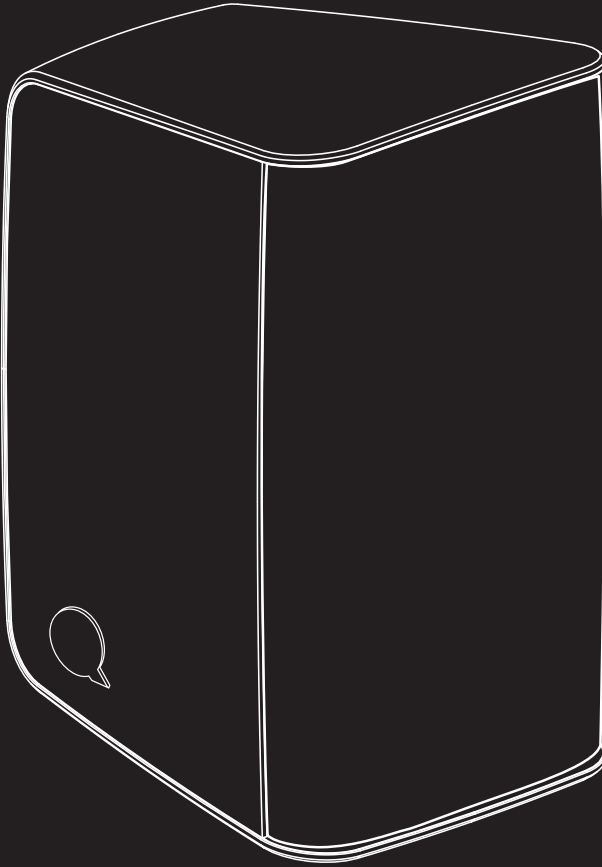


**quest**<sup>™</sup>  
engineering

**MX** SERIES



MX601 / MX601W / MX801 / MX801W

## General Description

The MX Series all-weather loudspeakers are the ideal choice for supplying high-fidelity sound in both indoor and outdoor applications.

Their advanced polymer housing is designed to be acoustically inert, while being capable of a long life in harsh environments - without becoming degraded by exposure to sunlight and salty air.

Mounting hardware and metal parts are made from corrosion resistant materials, and installation in direct rain exposed locations is possible.

The MX Series is available in black (MX601/MX801) or white (MX601W/MX801W) cabinets finished in clear low sheen finish formulated to resist harsh environmental conditions.

## A Design First

Acoustic design is quite unique. The MX Series are a sealed cabinet that allows for a very high IP rating. Despite being a sealed system, the bass response of a ported enclosure is developed using a custom designed LF driver, and proprietary resonance circuit. The benefit of this unique approach is very Hi-Fidelity audio performance from an IP rated system.

The woofer design has been engineered in such a way as to reduce the overall cabinet size requirement versus typical drivers of its size. The end result is realistic bass response indoors or in free-space applications. The rare earth magnet titanium dome tweeters yield a natural high-frequency response and produce smooth vocal intelligibility.

For installations where highest fidelity performance is required, the 16 $\Omega$  low impedance transformer setting allows for up to four boxes to be connected to one amplifier channel (4 $\Omega$ ) load. Distributed 70/100 volt installation have a wide choice of transformer output settings available.

Another benefit found on the MX Series is the Quest UB1 installation bracket system. This revolutionary design is both practical and elegant. It offers the most flexibility to the installer without compromising on appearance from an architectural perspective.

## Safety Precautions

- Be sure to read the instructions in this section carefully before use.
- Make sure you observe the instructions in this manual as the conventions of safety symbols and messages are very important.
- We also recommend you keep this instruction manual handy for future reference.

## Safety Symbol and Message Conventions

Safety symbols described below are used in this manual to prevent personal injury and property damage, which could be a result of mishandling. Before operating your product, read this manual first and understand the safety symbols and messages, so you are thoroughly aware of any risks.

### **WARNING**

**Ensure the safety cable is fixed to a suitable mounting point.**

### **CAUTION**

**Ensure the locking clamp is securely tightened when installing the loudspeaker.**

### Technical Parameters MX601 / MX601W

<b>Max SPL</b> *calculated			108 dB	
<b>Sensitivity</b> -5-band average			91 dB	
<b>Frequency Response</b>			80Hz – 20kHz±2dB	
<b>Impedance</b>			16Ω	
<b>Transformer Taping</b>			100V	10w/20w/30w/40w
			70V	5w/10w/15w/20w
<b>Amplifier Power</b>	<b>RMS</b>	<b>75W</b>	<b>Peak</b>	150W
<b>Transducers</b>	<b>HF</b>	<b>25mm Titanium Dome Tweeter</b>	<b>LF</b>	<b>6” High Performance Polypropylene Woofer</b>
<b>Directivity</b> *H x V			150° x 120° -10dB	
<b>Connections</b>			Captive Screw Terminal Plug (In/Thru)	
<b>Environmental Ingress Rating</b>			Speaker Cabinet IP56 (IP67 when used with IPMX1 kit)	
<b>Dimensions</b> *H x W x D			303 x 184 x 175mm	
<b>Net Weight</b>			3.5 kg	
<b>Shipping Weight</b>			5.4 kg	

### Technical Parameters MX801 / MX801W

<b>Max SPL</b> *calculated			112 dB	
<b>Sensitivity</b> -5-band average			93 dB	
<b>Frequency Response</b>			75Hz – 20kHz±2dB	
<b>Impedance</b>			16Ω	
<b>Transformer Taping</b>			100V	20w/30w/40w/60w
			70V	10w/15w/20w/30w
<b>Amplifier Power</b>	<b>RMS</b>	<b>100W</b>	<b>Peak</b>	200W
<b>Transducers</b>	<b>HF</b>	<b>25mm Titanium Dome Tweeter</b>	<b>LF</b>	<b>8” High Performance Polypropylene Woofer</b>
<b>Directivity</b> *H x V			150° x 120° -10dB	
<b>Connections</b>			Captive Screw Terminal Plug (In/Thru)	
<b>Environmental Ingress Rating</b>			Speaker Cabinet IP56 (IP67 when used with IPMX1 kit)	
<b>Dimensions</b> *H x W x D			345 x 202 x 243mm	
<b>Net Weight</b>			4.3 kg	
<b>Shipping Weight</b>			6.0 kg	

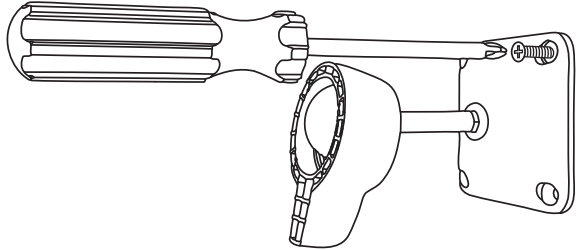
\* Quest Engineering reserves the right to make changes in specifications, or products without prior notice.

\*\* The figures shown above are 'real world', usable specifications and are conservative as a result. Quest Engineering does not believe in portraying misleading or exaggerated specifications.

## UB1 / UB2 Bracket Instructions

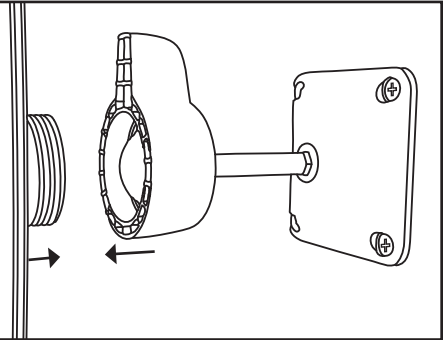
1

Attach base  
plate to wall or  
ceiling,



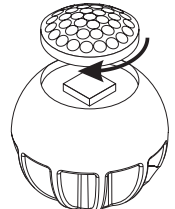
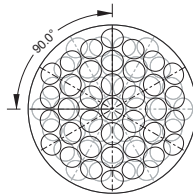
2

Mate loudspeaker to  
bracket and lightly fasten  
locking clamp,



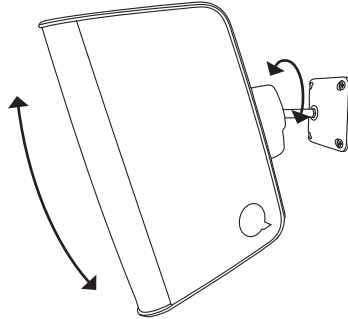
### NOTE

To achieve additional horizontal or vertical positions, it is possible to remove and rotate the steel insert in the ball face 90 degrees.



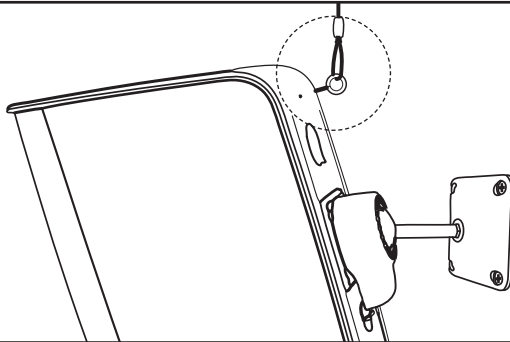
3

Position loudspeaker to desired pan/tilt, then tighten locking clamp securely – ensuring the locating pin has seated into the ball face,



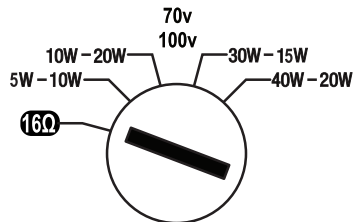
4

Attach safety cable.



**NOTE**

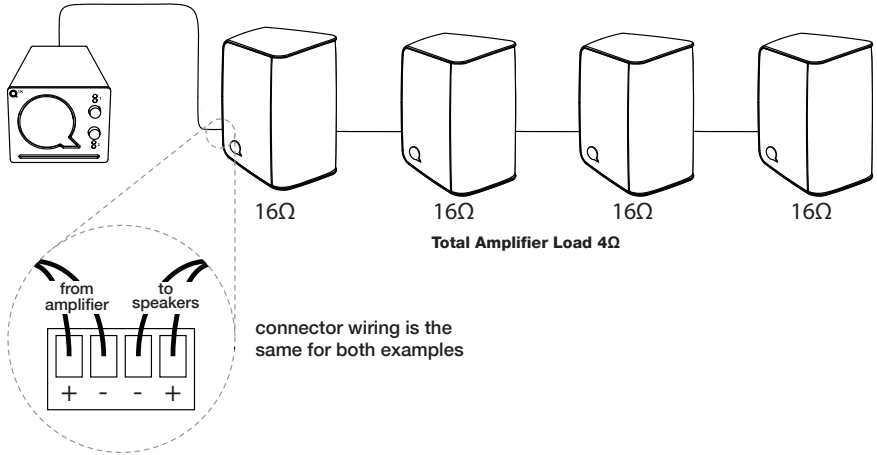
Before installation, if the system requires 70/100V line operation select the correct tap setting by rotating the selector on the rear face of the loudspeaker.



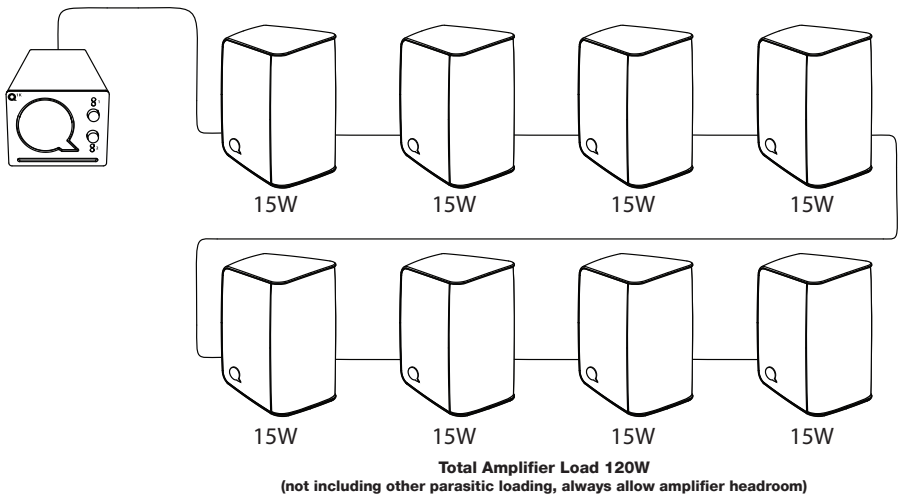
\*MX601 Shown

## Amplifier Wiring Examples

### Parallel Wiring (low impedance selected)



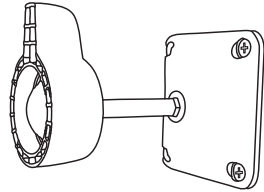
### 100V/70V System (example shows 15W tap setting)



## Installation Accessories

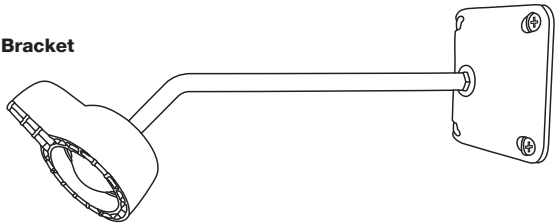
### **UB1 (UB1W white) Installation Bracket**

Wall pan/tilt mounting kit for MX601/  
MX801 and MX601W/MX801W



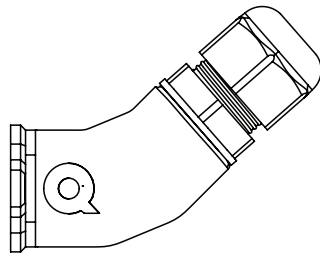
### **UB2 (UB2W white) Installation Bracket**

Ceiling pan/tilt mounting  
kit for MX601/MX801 and  
MX601W/MX801W



### **IPMX1**

Connector Shroud and Cable Gland  
Kit required to meet IP67 rating.  
(Accepts 5-10mm diameter cables)



## **Register Your Product**

Thank you for choosing Quest. Please take the time to complete your product registration.

Registering your Quest Engineering product will:

- CONFIRM YOUR WARRANTY
- REGISTER YOUR PRODUCT
- PROTECT YOUR NEW PRODUCT

**REGISTER ONLINE:**

[www.questengineering.com.au/registration](http://www.questengineering.com.au/registration)

**For spare parts and service, contact your local authorised Quest Dealer.**

**quest**<sup>™</sup>  
engineering

[www.questengineering.com.au](http://www.questengineering.com.au)