



QX-300 USER MANUAL





PRODUCT OVERVIEW

The QX-300 Amplifier is a compact, 2-channel, one third RU, high fidelity solution for both high (70/100V) and low impedance (4 -16Ohm) distributed audio systems. The amplifier has automatic load sensing for low impedance and 70V line operation and can output 100V in bridged mono mode.

The QX-300 can be used as a stand-alone amplifier, or with the available mounting accessories for additional installation flexibility. Three units can be mounted in 1RU or 10 units can be mounted in 3RU. For ease of operation the front panel features recessed volume controls and status indicator lights. A removable magnetic cover doubling as an air intake filter hides Automatic Standby, Bridged Mono, 80Hz High Pass Filter and Limiting selection switches. The Auto Standby function will mute the amplifier after 10 minutes of no audio signal presence and after 30 minutes the amp will enter a sleep mode, which allows it to draw less than 0.5W (QX-300A) or 2.5W (QX-300D). Typical power-on from mute is <1ms and from sleep mode is 660ms.

SAFETY PRECAUTIONS

- Please read the instructions in this section carefully before use.
- Ensure all instructions in this manual are observed as all information contained within is very important.
- It is also highly recommended that this manual is retained for future reference.

SAFETY SYMBOL & MESSAGE CONVENTIONS

The safety symbols described are used in this manual to prevent bodily injury and property damage which could result from mishandling. Before operating this product, please read this manual first, in full so you that you are thoroughly aware of any risks.



WARNING

Indicates a potentially hazardous situation which, if mishandled, could result in serious personal injury or death.

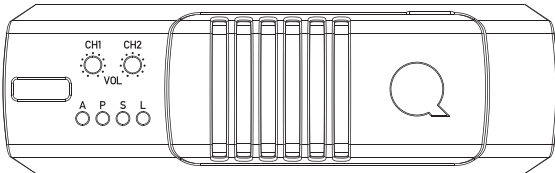


GENERAL CAUTION

- Do not expose the unit to any moisture whether rain, water, or other liquids. Exposure to moisture could result in damage to internal components or electrocution\circuit failure.
- Do not cut, kink, or otherwise damage or modify speaker cable. Ensure a speaker cable with a core diameter of at least 0.75mm² is used for specified performance.
- Do not install or place speaker cables or this device near heaters, high traffic areas or any area where the cables or device can be damaged.
- Avoid installing or mounting speaker boxes, amplifiers, electronics or cabling in unstable locations.
- In the event of storms and/or lightning, ensure all devices are disconnected from mains power in order to prevent damage to any of the units in the system.
- When cleaning the unit, ensure it has been disconnected from any power source and that only a dry cloth is used. Do not use any aerosol or liquid-based cleaners.
- Ensure all electronics are electronically grounded (earthed) to a safety ground terminal in order to avoid electric shock. Do not ground any device to a gas pipe as this may result in fire.
- Servicing of all electronics should only be carried out by a certified Quest technician. Please consult your original place of purchase to find the location of your nearest Quest service centre.
- When installing amplifiers and/or other electronics only use the hardware specifically designed for this product.



FRONT PANEL CONTROLS



CH1 Rotary gain control

CH2 Rotary gain control

Blue: Amplifier active

A Orange: Amplifier in standby mode

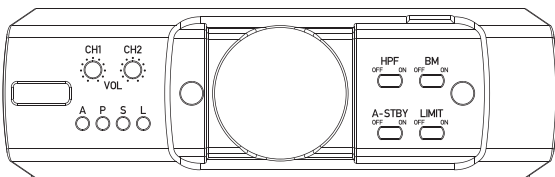
P Orange: Amplifier is in protect mode

S Green: Signal is detected

Orange: Amplifier is limiting signal

L Red: Amplifier is clipping

UNDER PANEL CONTROLS



High Pass Filter Off /On

HPF Off: Amplifier passing full range signal

On: 80HZ High Pass Filter Active

Bridge Mono Off/On

BM Off: Amplifier operating as 2 individual channels

On: Amplifier operating in bridged mono mode

Standby Off/On

A-STBY Off - Amplifier will not enter power saving mode

On - Amplifier will enter sleep mode after 30 minutes of no signal

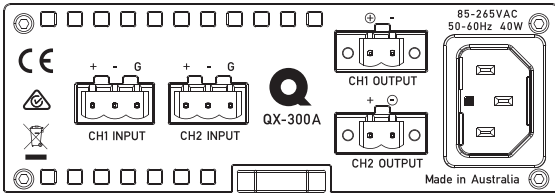
Off/On

Limit Off - Amplifier will not limit

On - Amplifier will limit to prevent clipping



REAR PANEL CONTROLS QX-300A



Channel 1 Input Phoenix/Euroblock

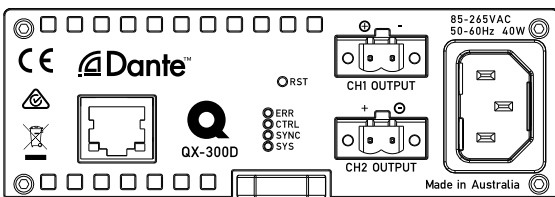
Channel 2 Input Phoenix/Euroblock

Channel 1 Output Phoenix/Euroblock

Channel 2 Output Phoenix/Euroblock

Mains Connection IEC

REAR PANEL CONTROLS QX-300D



Primary RJ-45 Dante Input

Secondary RJ-45 Dante Input

Channel 1 Output Phoenix/Euroblock

Channel 2 Output Phoenix/Euroblock













Mains Connection IEC

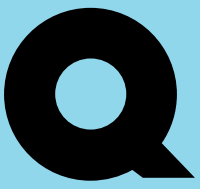
RST Dante Reset

ERR/CTRL/SYS/SYNC Dante System LEDs

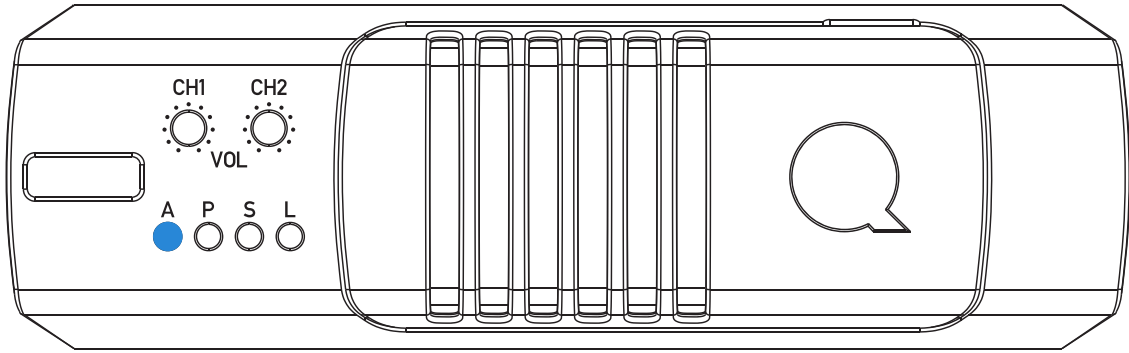


DANTE SYSTEM LEDS

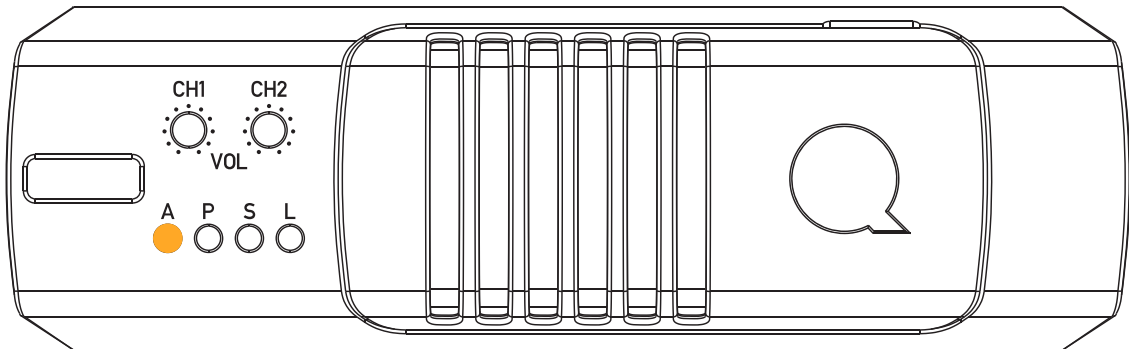
SYS red	SYS		System booting
SYS green	SYS		System ready
SYNC amber	SYNC		PTP currently syncing
SYNC red	SYNC		PTP error / no PTP sync / PTP disabled
SYNC green	SYNC		PTP slave, with PTP sync
SYNC green flashing	SYNC		PTP master
ERR amber	ERR		Capability is corrupted
ERR amber	ERR		Memory stack overflow
All flashing green	SYS		Identify
	SYNC		
	CTRL		
	ERR		
All amber	SYS		Factory / manufacturing mode
	SYNC		
	CTRL		
	ERR		
All flashing amber	SYS		Upgrade mode
	SYNC		
	CTRL		
	ERR		
All flashing red	SYS		Failsafe - corrupt or missing application image
	SYNC		
	CTRL		
	ERR		



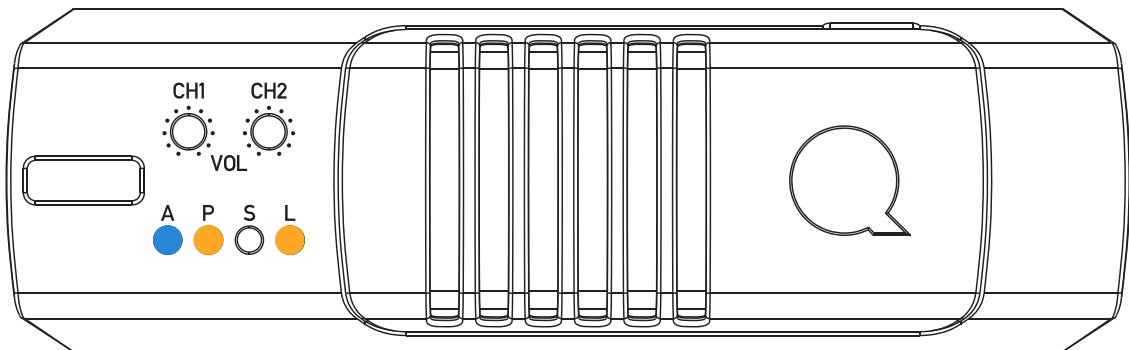
OPERATION MODES



ACTIVE



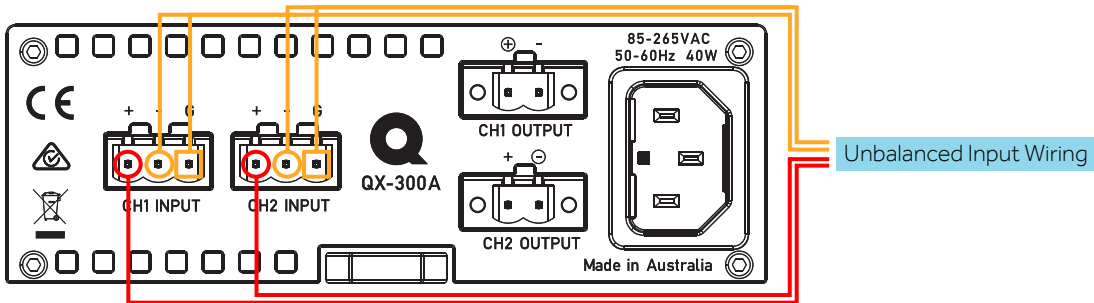
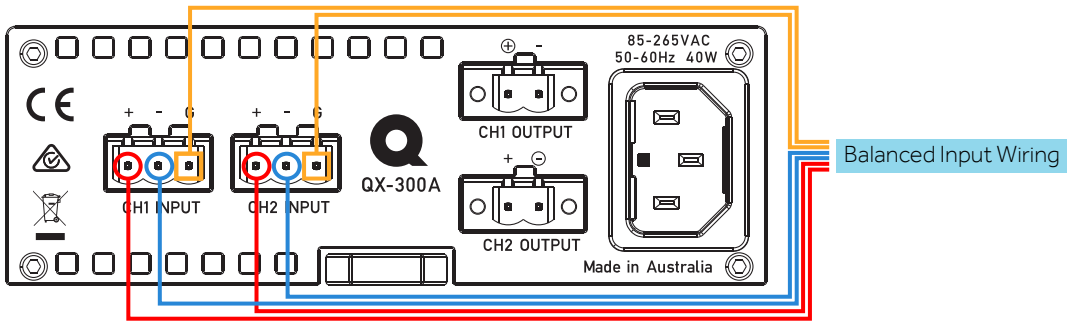
STAND-BY



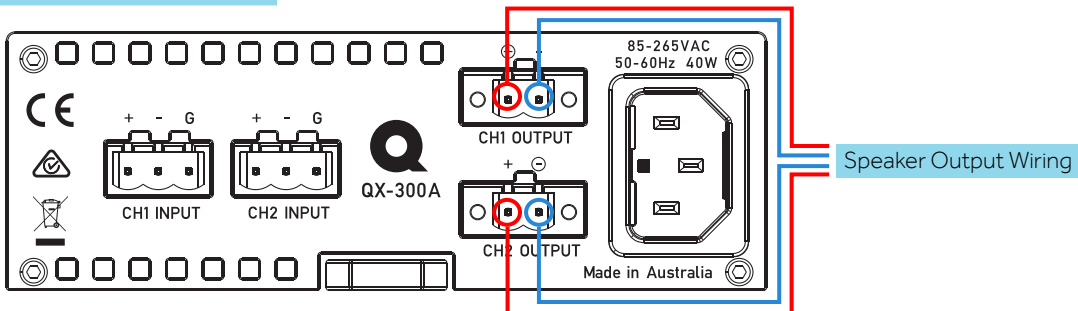
MUTED



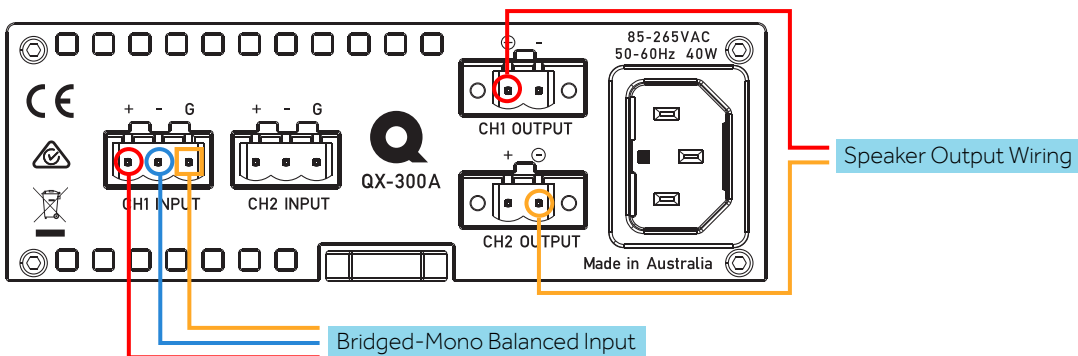
INPUT WIRING



STEREO MODE



BRIDGED-MONO MODE





SPECIFICATIONS

OPERATION MODES	STEREO MODE		BRIDGED-MONO MODE			
LOAD	80hm	40hm	80hm	40hm	70v	100V
Maximum Continuous Power (@1kHz, 1% Thd)	2 x 140W	2 x 140W	1 x 280W	1 x 260W	250W	240W
Maximum Dynamic Power (@1kHz, 1% Thd)	2 x 200W	2 x 275W	1 x 550W	1 x 550W	550W	550W

Frequency Response	20-20kHz (+/-0.3dB)
Peak Output Current	25A
Dynamic Range	104dB (A-weighted)
Noise Level	-67dBu (A-weighted)
Distortion (1kHz@1W/80hm)	0.006%
Distortion (1kHz@50W/80hm)	0.006%
Crosstalk (1kHz@1W/80hm)	-80dB
Gain	32dB
Maximum Input Level	+24dBu
Input Type	Analogue Balanced 3-pin Phoenix (5.08mm pitch)
Input Sensitivity	+4dBu
Input Impedance	10kOhm
Output Resistance	43.6mOhm
Front Controls	Volume Adjust, 80Hz HPF Enable, 100Hz LPF Enable, Limiter Enable, Auto-Standby Enable)
Indicators (LEDs)	Blue/Orange Active/Standby
	Orange Protection
	Green Signal Detection
	Orange/Red Limiter/Clip
Cooling	Fan cooled, temperature dependent

Features	Wake On Music, Auto-Mute (1ms wake-up), Limiting on High Temperature
Amplifier Protection Systems	Thermal protection, Over-Current Protection, DC Protection, HF Protection
Mains Input Voltage Range	85VAC - 265VAC
Standby Power Consumption	4.8W
Muted Power Consumption	16W
Idle Power Consumption	28W
Standard Power Consumption (Pink Noise@ 1/8th Rated Power, 80hm)	150W
Mains Connector	Standard IEC C14
Output Connector	2-pin Phoenix (5.08mm pitch) with a screw lock
Dimensions (H x W x D)	44 x 482 x 344 mm (1.75 x 19 x 13.5")
Weight	5.9kg (13 lbs)
Accessories	Mains Cable, Feet, User Manual, vPhoenix Plugs

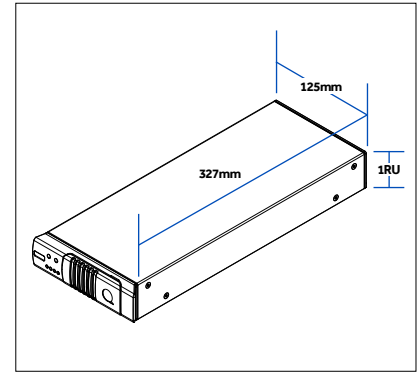
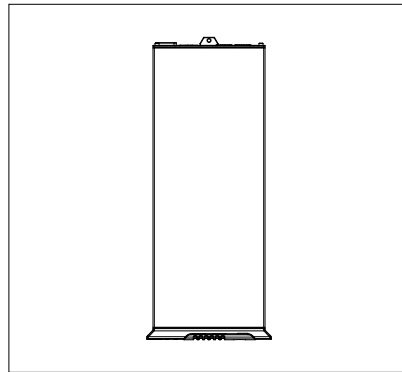
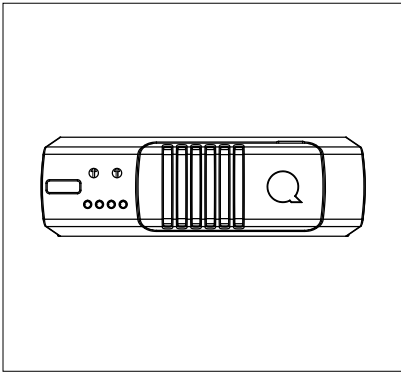
* All specifications were measured at 240VAC

** Quest Engineering reserves the right to make changes in specifications, or products without prior notice.

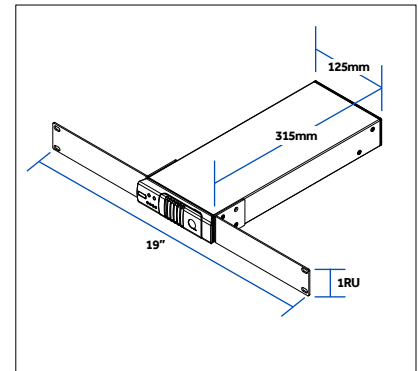
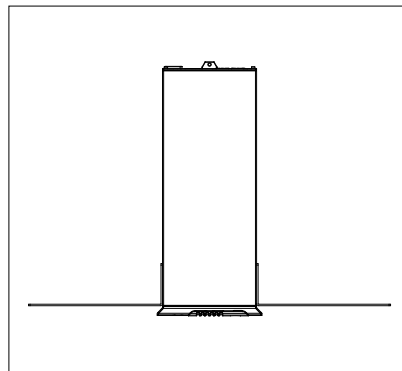
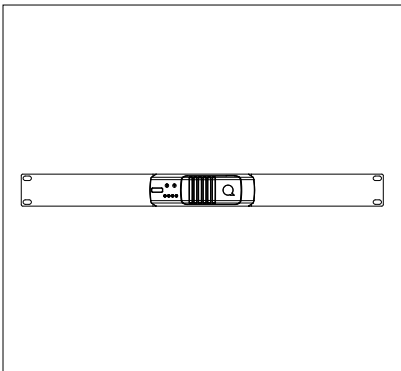
*** The figures shown above are 'real world', usable specifications and are conservative as a result. Quest Engineering does not believe in portraying misleading or exaggerated specifications.



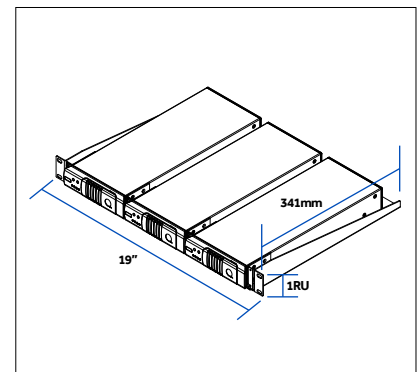
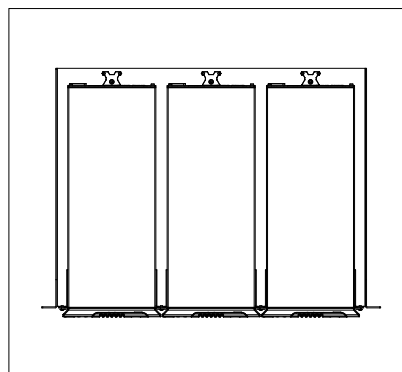
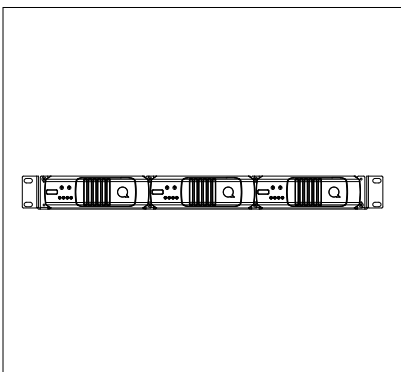
TECHNICAL DRAWINGS



ACCESSORIES



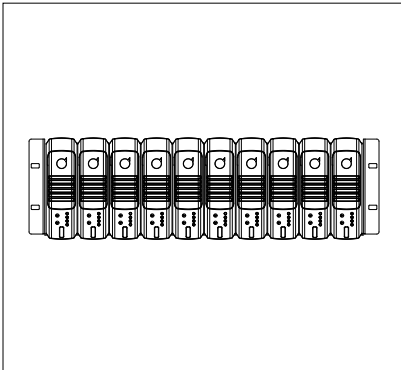
1RU Brackets (Included)



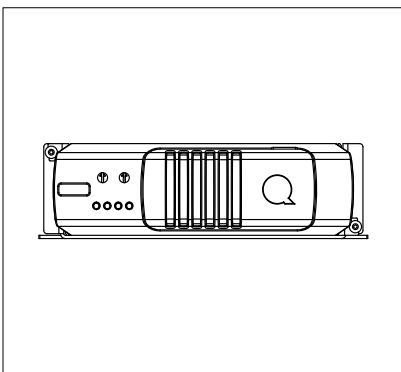
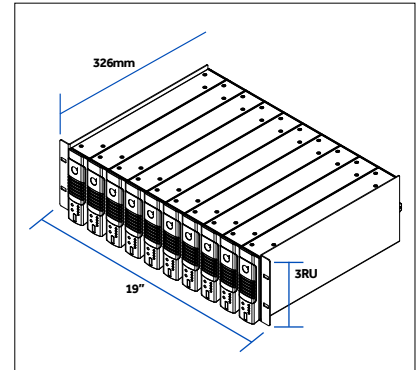
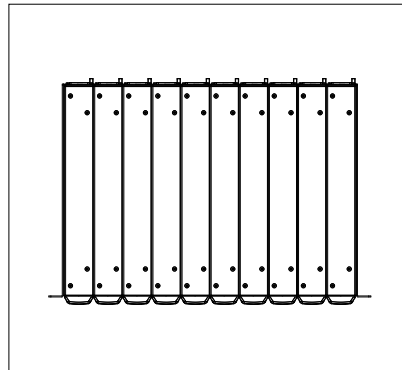
uRAK2 (optional)



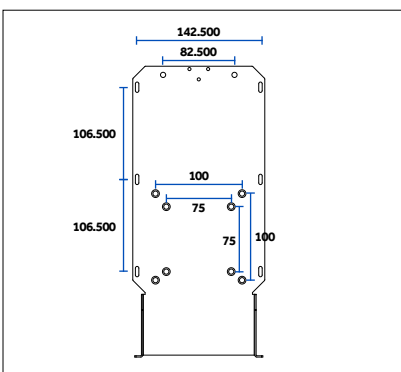
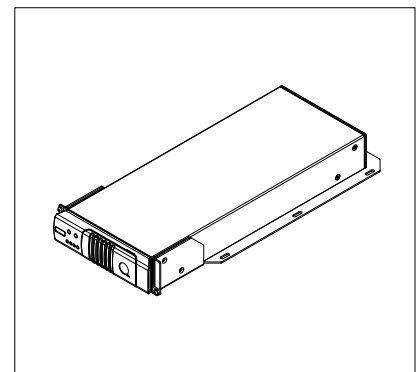
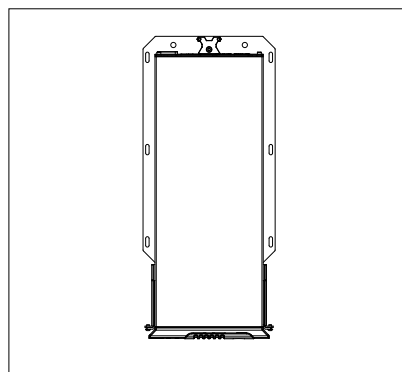
ACCESSORIES

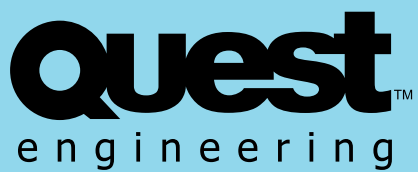


uRAK3 (optional)



WBQX300 (optional)





REGISTER YOUR PRODUCT

Thank you for choosing Quest. Please take the time to complete your product registration.

Registering your Quest Engineering product will:

- Confirm your warranty
- Register your product
- Protect your new product

REGISTER ONLINE

questaudio.net/warranty-reg/

For spare parts and service, contact your local authorised Quest Dealer.